

400-500 Watt, CDS Series, DC-DC Converter (Single Output)

ALL PSU LTD
Electronic Power Solutions

- 2:1 Input Range, nominal 48 Volts
- Regulated Outputs
- 1500V Isolation
- Industry Standard Base Plate Cooled Package
- Additional Heatsink Options
- Over Voltage and Over Current Protection
- High Efficiency up to 91%
- -20 to +85 °C Operational Temperature Range



Specification (typical values shown)

| | |
|------------------------------|---|
| Input Range..... | 36~76 Volts |
| Outputs..... | Single (see table below plus trim range) |
| Start Up Time..... | 200ms max |
| Line Regulation..... | dependent on output voltage – consult office |
| Load Regulation..... | dependent on output voltage – consult office |
| Efficiency..... | See table for each model |
| Over Current Protection..... | above 105% of nominal rated output, automatic recovery |
| Isolation Voltage..... | I/P~O/P: 1.5kVDC |
| Features..... | Current Share, Remote Sense, Output Good, Temperature Monitor, Remote On/Off |
| Operating Temperature..... | -20 to +85 °C |
| Storage Temperature..... | -40 to +85 °C |
| Approval..... | UL60950-1, cUL, EN60950-1 |
| Case Material..... | Aluminium baseplate, Polycarbonate Case |
| Weight..... | 180 g |

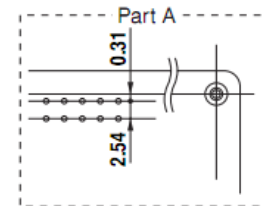
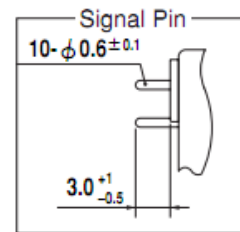
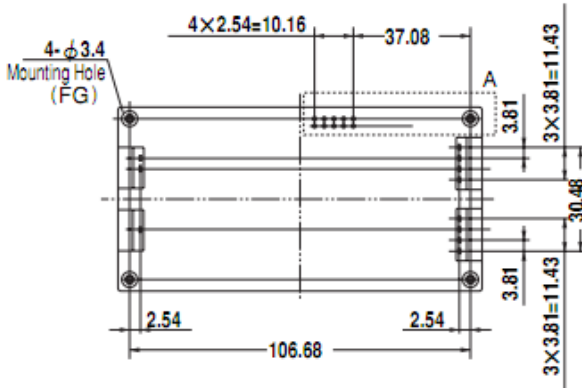
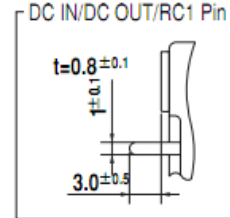
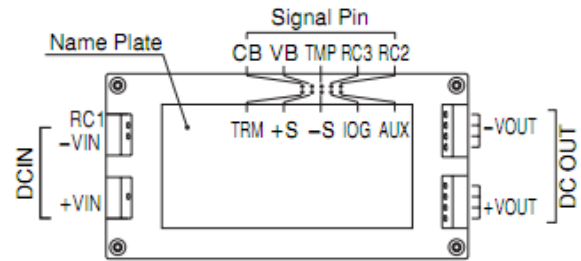
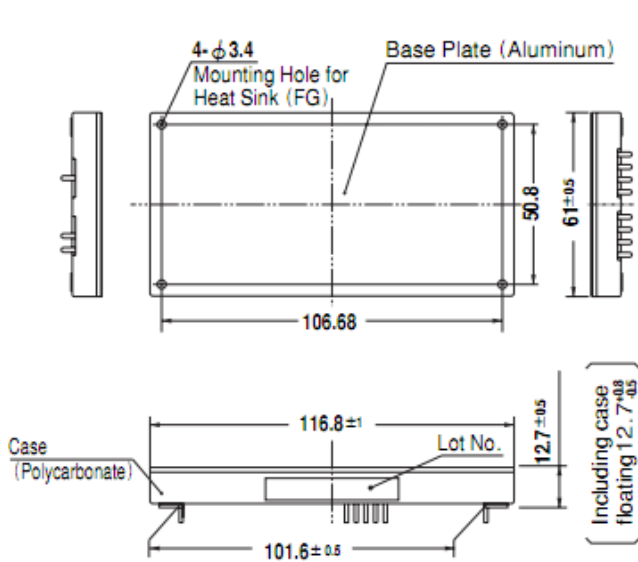
Models and Ratings

| Model | Input Range | Output Voltage | Output Current | Efficiency |
|--------------|-------------|----------------|----------------|------------|
| CDS-400-4802 | 36~76 VDC | 2.0 Volts | 100.0 Amps | 73~75% |
| CDS-400-4803 | | 3.3 Volts | 100.0 Amps | 80~82% |
| CDS-400-4805 | | 5.0 Volts | 80.0 Amps | 84~86% |
| CDS-400-4807 | | 7.5 Volts | 54.0 Amps | 87~88% |
| CDS-400-4812 | | 12.5 Volts | 40.0 Amps | 89~91% |
| CDS-400-4815 | | 15.0 Volts | 34.0 Amps | 89~90% |
| CDS-400-4824 | | 24.0 Volts | 21.0 Amps | 89~90% |
| CDS-400-4828 | | 28.0 Volts | 18.0 Amps | 89~90% |

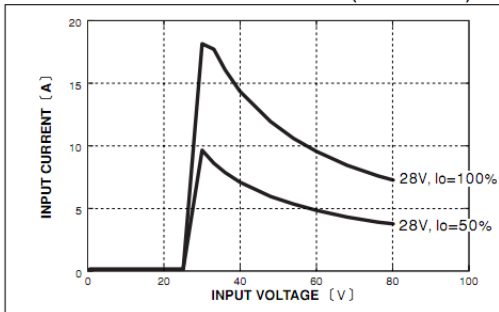
For mechanical data and pinout, see next page

ALL PSU Ltd, Unit D6 Laser Quay, Culpeper Close, Medway City Estate,
Rochester, Kent, ME24HU, Tel : 01634 725527, Fax : 01634 739111,
Email : sales@allpsu.co.uk , Web : www.allpsu.co.uk

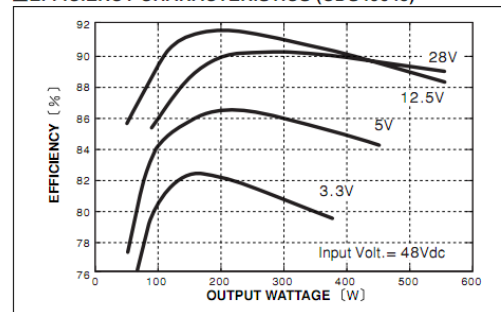
Mechanical Details and Pin-Out



■ INPUT CURRENT CHARACTERISTICS (CDS4004828)



■ EFFICIENCY CHARACTERISTICS (CDS40048)



Specifications may change without notice, E&OE. ALL PSU Terms & Conditions apply
ALL PSU Ltd, Unit D6 Laser Quay, Culpeper Close, Medway City Estate,
Rochester, Kent, ME2 4HU, Tel : 01634 725527, Fax : 01634 739111
Email : sales@allpsu.co.uk, Web : www.allpsu.co.uk