

## 500/600 Watt, CDS Series, DC-DC Converter (Single Output)

**ALL PSU LTD**  
Electronic Power Solutions

- 2:1 Input Range
- Regulated Outputs
- 500V Isolation
- Industry Standard Encapsulated Package
- Full Brick
- Over Voltage and Current Protection
- High Efficiency up to 91%
- -20 to +85 °C Operational Temperature Range



### Specification (typical values shown)

|                              |   |
|------------------------------|---|
| Input Range.....             | 18~36, 36~76 Volts  |
| Outputs.....                 | Single (see table below plus trim range)                  |
| Start Up Time.....           | 200ms max   |
| Line Regulation.....         | dependent on output voltage – consult office              |
| Load Regulation.....         | dependent on output voltage – consult office              |
| Efficiency.....              | See table for each model                                  |
| Over Current Protection..... | above 105% of nominal rated output,<br>automatic recovery |
| Isolation Voltage.....       | I/P~O/P: 500 VDC  |
| Operating Temperature.....   | -20 to +85 °C   |
| Storage Temperature.....     | -40 to +85 °C   |
| Approval.....                | UL60950-1, cUL, EN60950-1                                 |
| Case Material.....           | Aluminium baseplate, Polycarbonate Case                   |
| Weight.....                  | 200 g   |

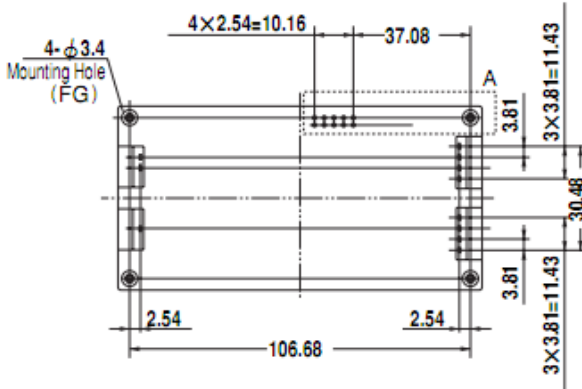
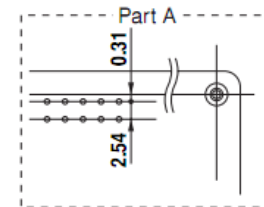
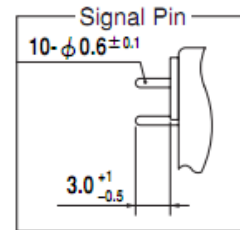
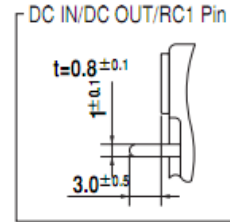
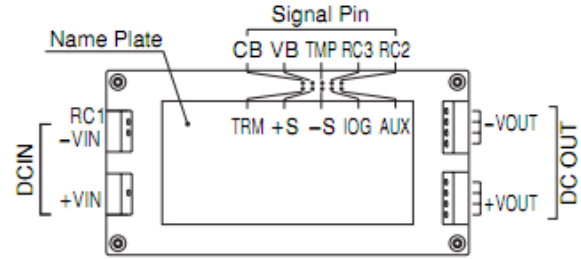
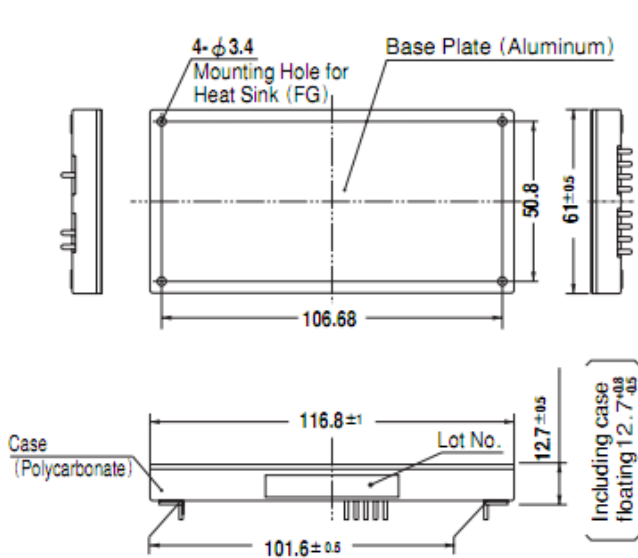
### Models and Ratings

| Model       | Input Range | Output Voltage | Output Current | Efficiency |
|-------------|-------------|----------------|----------------|------------|
| CDS5002428H | 18~36 VDC   | 28.0 V         | 18.0 A         | 89~90%     |
| CDS6002412  |             | 12.5 V         | 48.0 A         | 83~87%     |
| CDS6002412H | 20.5~36 VDC | 12.5 V         | 48.0 A         | 87~90%     |
| CDS6002428  | 18~36 VDC   | 28.0 V         | 22.0 A         | 86~87%     |
| CDS6002428H | 19~36 VDC   | 28.0 V         | 22.0 A         | 89~90%     |
| CDS6004812  | 36~76 VDC   | 12.5 V         | 56.0 A         | 89~91%     |
| CDS6004828  |             | 28.0 V         | 25.0 A         | 89~90%     |

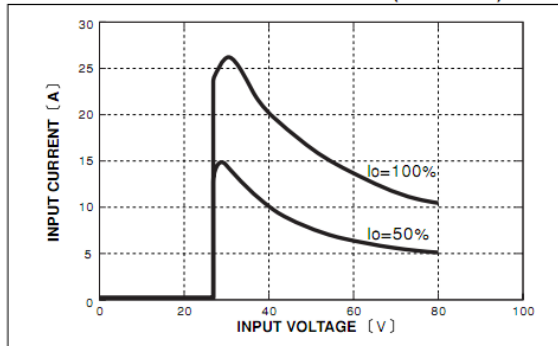
For mechanical data and pinout, see next page

ALL PSU Ltd, Unit D6 Laser Quay, Culpeper Close, Medway City Estate,  
Rochester, Kent, ME24HU, Tel : 01634 725527, Fax : 01634 739111,  
Email : [sales@allpsu.co.uk](mailto:sales@allpsu.co.uk) , Web : [www.allpsu.co.uk](http://www.allpsu.co.uk)

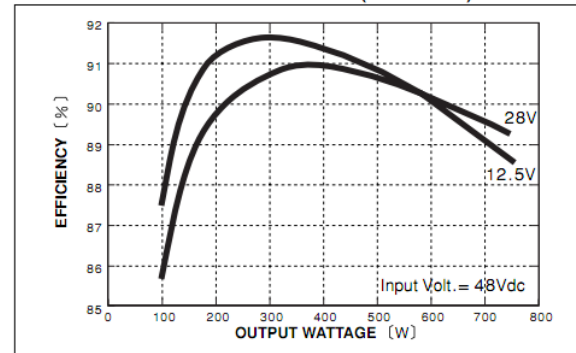
## Mechanical Details and Pin-Out



■ INPUT CURRENT CHARACTERISTICS (CDS60048)



■ EFFICIENCY CHARACTERISTICS (CDS60048)



Specifications may change without notice, E&OE. ALL PSU Terms & Conditions apply  
**ALL PSU Ltd, Unit D6 Laser Quay, Culpeper Close, Medway City Estate,**  
**Rochester, Kent, ME2 4HU, Tel : 01634 725527, Fax : 01634 739111**  
**Email : sales@allpsu.co.uk, Web : www.allpsu.co.uk**