

300 Watt, PLA Series, Fully Enclosed (Single Output)



electronic powersolutions

- Miniature Size 1U Height, High Power Density
- Protections: Overload / Over Voltage
- Wide Temperature Range -20~+70 °C
- High Efficiency, Long Life & High Reliability
- 100% Full Load Burn-In Test
- 5 Year Warranty & Lowest Life Time Cost
- Remote ON/OFF & Conformal Coating Options



Specification

AC Input Voltage Range.....	85-264 VAC
AC Inrush Current (max).....	Cold start, 40A @ 230 VAC
DC Output Adjustment Range.....	+/- 10% via on board potentiometer
Over Load Protection.....	Works above 105% (auto recovery)
Over Voltage Protection.....	115%-140% of rated output voltage
Remote On/Off.....	Option -R, requires external voltage
Isolation Voltage.....	I/P-O/P: 3 kVAC, I/P-F/G: 2 kVAC O/P-F/G: 0.5 kVAC, 1 min
Operating Temperature.....	-20 to +70 °C (see derating curve)
Vibration.....	10-55 Hz, 19.6m/s ² (2G), 3 minutes period, 60 minutes each along X, Y, Z axes
Conformal Coating.....	Order as option -C
Safety Standards.....	UL60950-1, C-UL, EN50178, UL508 complies with DEN-AN, EN60950-1 approved
EMC Standards.....	FCC-B, VCCI-B, CISPR22-B, EN55011-B, EN55022-B Complies with IEC61000-3-2 Class A, EN61204-3, EN61000-6-2, EN61000-4-2,3,4,5,6,8,11
Connection.....	Screw terminal block (wire entry above or below) Option -T2 alternate style screw terminals
Dimensions (L x W x H).....	190 x 102 x 41 mm (excluding connections)
Weight.....	1 kg max

Models and Ratings

Model	Output Voltage / Max Current	Output Voltage Adjustment Range	Efficiency 230VAC Input
PLA300F-5	5 V / 50 A	4.5 – 5.5 V	77%
PLA300F-12	12 V / 25 A	10.8 - 13.2 V	81%
PLA300F-15	15 V / 20 A	13.5 - 16.5 V	83%
PLA300F-24	24 V / 12.5 A	21.6 - 26.4 V	87%
PLA300F-36	36 V / 8.4 A	32.4 - 39.6 V	87%
PLA300F-48	48 V / 6.3 A	43.2 - 52.8 V	87%

Maximum Output Current / Power derates below 115 VAC Input, contact sales for details

For mechanical & connection details see next page

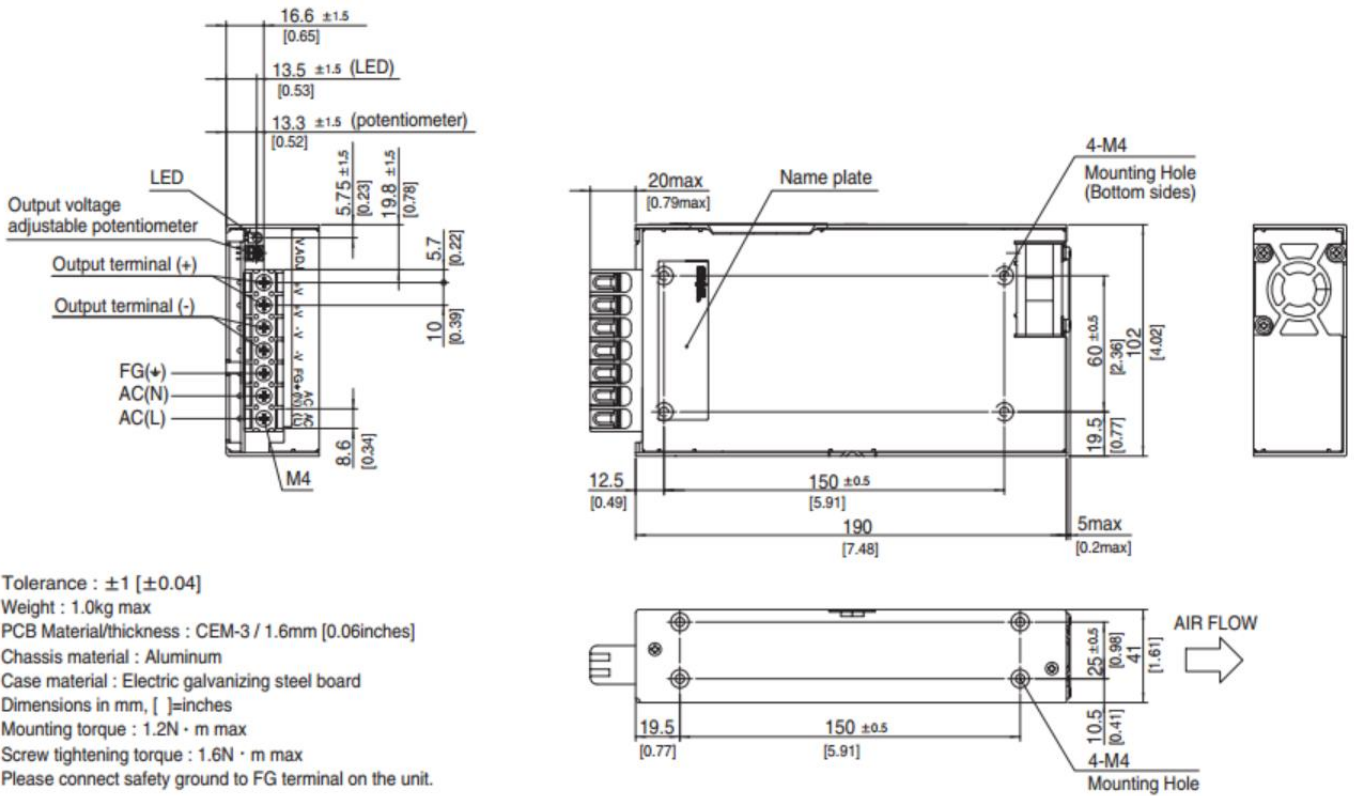
**ALL PSU Ltd, Unit D6 Laser Quay, Culpeper Close, Medway City Estate,
Rochester, Kent, ME2 4HU, Tel : 01634 725527, Fax : 01634 739111
Email: sales@allpsu.co.uk Web: www.allpsu.co.uk**

300 Watt, PLA Series, Fully Enclosed (Single Output)



electronic powersolutions

Mechanical Details



- ※ Tolerance : ±1 [±0.04]
- ※ Weight : 1.0kg max
- ※ PCB Material/thickness : CEM-3 / 1.6mm [0.06inches]
- ※ Chassis material : Aluminum
- ※ Case material : Electric galvanizing steel board
- ※ Dimensions in mm, []=inches
- ※ Mounting torque : 1.2N · m max
- ※ Screw tightening torque : 1.6N · m max
- ※ Please connect safety ground to FG terminal on the unit.

Derating Curve

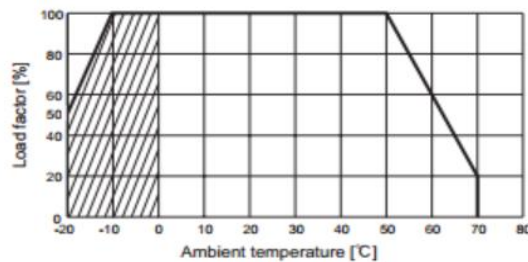


Fig.3.5 Ambient temperature derating curve for PLA300F

Specifications May Change Without Notice, E&OE. ALL PSU Terms & Conditions apply.

**ALL PSU Ltd, Unit D6 Laser Quay, Culpeper Close, Medway City Estate,
Rochester, Kent, ME2 4HU, Tel : 01634 725527, Fax : 01634 739111
Email: sales@allpsu.co.uk Web: www.allpsu.co.uk**