



electronicpowersolutions

100 Watt Medical MAD100 Series, Open Frame / Cased, Single Output

- Compact 3 x 2" Footprint
- Universal AC Input
- Medical Approvals
- Optional Chassis / Cover
- High Efficiency – up to 92%
- <0.3Watt No Load Input Power
- 5 Year Warranty
- Optional DIN Rail Mounting Kit



Specification

Input Voltage..... 85~264 VAC, 47~63 Hz
 Output Voltage..... See table below for output options (+/-10% adjustment range)
 Output Power 100 Watts Convection Cooled
 Over Load Protection..... 115%~150%, Hiccup Mode
 Over Voltage Protection..... 115%~135% of rated output voltage, Latch Mode
 Hold Up Time..... 16 ms minimum, full power, 115 VAC input
 Efficiency..... 91-92% Depending on model
 Operating Temperature..... -25 °C to +80 °C, see derating curve
 Storage Temperature..... -40 to +85 °C
 Isolation..... I/P-O/P: 4 kVAC,
 Humidity..... 5~90% relative humidity, non-condensing
 EMC..... EN55011, EN55022, FCC Part 18, Class A/B
 EN61000-3,2,3, EN61000-4-2,3,4,5,6
 Safety Approvals..... EN/ES/IEC 60601-1-2 ANSI/AAMI
 Dimensions 76.2(L) x 50.8(W) x 29.5(H) mm
 Optional U-Channel Chassis 91.4(L) x 62(W) x 39.2mm(H)
 Optional Full Cover 91.4(L) x 62(W) x 39.2mm(H)

Output Models

Open Frame	U-Channel	Enclosed	DC Output Voltage	Max Output Current
MAD100US12	MUD100US12	MED100US12	12 Volts	8.34 Amps
MAD100US15	MUD100US15	MED100US15	15 Volts	6.67 Amps
MAD100US24	MUD100US24	MED100US24	24 Volts	4.17 Amps
MAD100US28	MUD100US28	MED100US28	28 Volts	3.58 Amps
MAD100US36	MUD100US36	MED100US36	36 Volts	2.78 Amps
MAD100US48	MUD100US48	MED100US48	48 Volts	2.09 Amps

ALL PSU LTD

Unit D6 Laser Quay | Culpeper Close | Medway City Estate | Rochester | Kent
 ME2 4HU Tel : 01634 725527 | Fax : 01634 739111
 Email : sales@allpsu.co.uk | Web : www.allpsu.co.uk

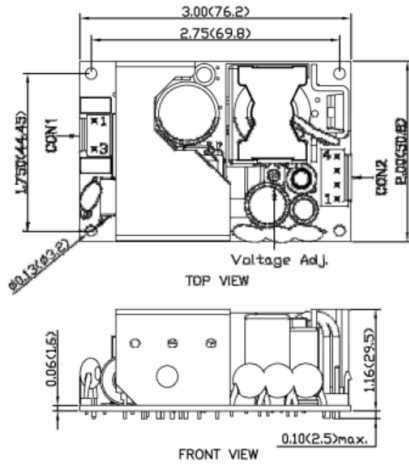


electronic **power** solutions

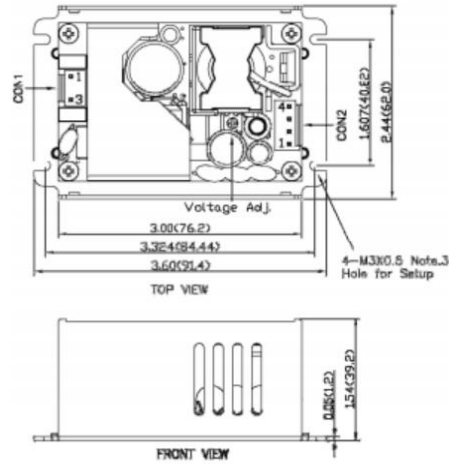
100 Watt Medical MAD100 Series, Open Frame / Cased, Single Output

Mechanical Drawings & Connection Details

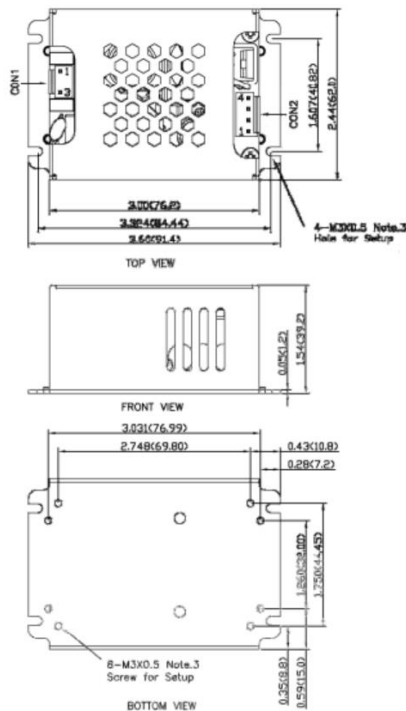
MAD100 Open Frame



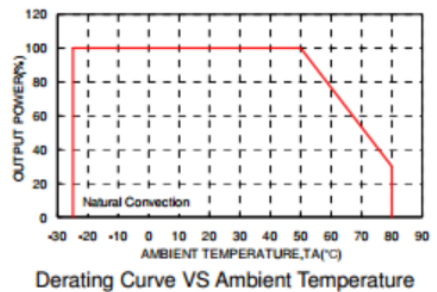
MUD100 U-Channel Chassis



MED100 Fully Enclosed



CON1 – Input Connector	
Pin 1	Line
Pin 3	Neutral
Mates with JST housing VHR-3N and JST SVH-21T-P1.1 crimp terminals	
Mounting holes marked with ⊕ must be connected to safety earth for CLASS I application	
CON2 – Output Connector	
Pin 1,2	-Vout
Pin 3,4	+Vout
Mates with JST housing VHR-4N and JST SVH-21T-P1.1 crimp terminals	



Specifications are subject to change without notice, E&OE. ALL PSU Terms & Conditions apply.

ALL PSU LTD

Unit D6 Laser Quay | Culpeper Close | Medway City Estate | Rochester | Kent

ME2 4HU Tel : 01634 725527 | Fax : 01634 739111

Email : sales@allpsu.co.uk | Web : www.allpsu.co.uk