



120 Watt, KL Series, Ultra Slim DIN Rail Power Supply

- Universal AC Input
- High Efficiency 88%, High Reliability
- Wide Temperature Range -20 to +70 °C
- Power On LED, Output Voltage Trim
- Over Load, Over Voltage Protected
- Full Approvals: UL/cUL/EN/CE
- 5 Year Warranty
- Ultra Compact only 38mm Wide
- Competitive Pricing



Specification

Specification

Input Voltage (Universal).....	85~264 VAC
Input Frequency.....	47~63 Hz
Inrush Current.....	Cold start, 20A @ 115 VAC, 40A @ 230 VAC
Input Current.....	1.2 A @ 115 VAC, 0.6 A @ 230 VAC
Power Factor.....	0.90 @ 230VAC, 0.98 @ 115 VAC (full load)
Load Regulation.....	24 Volt unit Max 150mV, 48 Volt unit Max 300 mV
Line Regulation.....	24 Volt unit Max 96mV, 48 Volt unit Max 192 mV
Leakage Current.....	<0.75 mA @ 240 VAC
Output Voltage.....	24 Volts or 48 Volts DC, plus adjustment range
Over Load Protection.....	Works over 105% of rating and recovers automatically
Over Voltage Protection.....	24 Volt = 27.6~33.6 Volts, 48 Volt = 54~67.2 Volts
Start-Up Time.....	500 ms @ 115 VAC full load
Hold Up Time.....	20 ms @ 115 VAC (full load)
Isolation Voltage.....	I/P-O/P: 3 kVAC, I/P-F/G: 2 kVAC, O/P-Gnd: 0.5 kVAC
Operating Temperature.....	-20~+70 °C (see derating curve)
Safety Standards.....	UL508, UL60950-1, C-UL, EN60950-1
EMC Standards.....	Complies with DEN-AN FCC-B, VCCI-B, CISPR22-B, EN55011-B, EN55022-B, IEC61000-3-2 Class A
Dimensions.....	117(D) x 38(W) x 124(H) mm
Weight.....	580g

Output Models

Model	Output	Adj. range	Efficiency
KLEA-120F-24	24.0 V / 5.0 A	21.6 V ~ 26.4 V	88%
KLEA-120F-48	48.0 V / 2.5 A	43.2 V ~ 52.8 V	88%

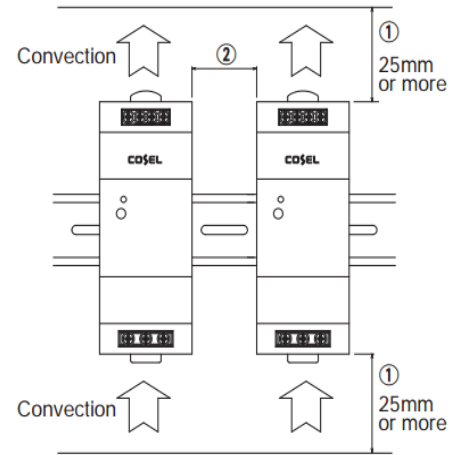
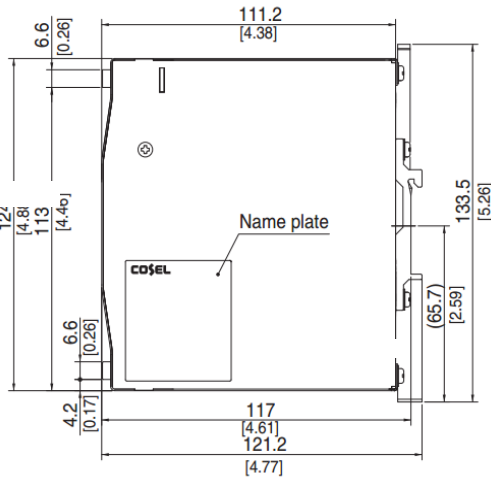
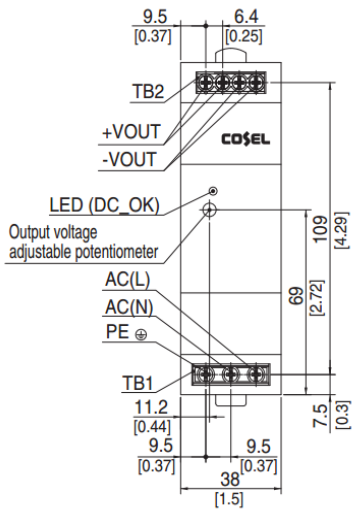
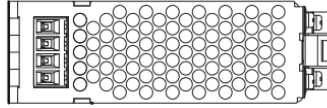
ALL PSU LTD



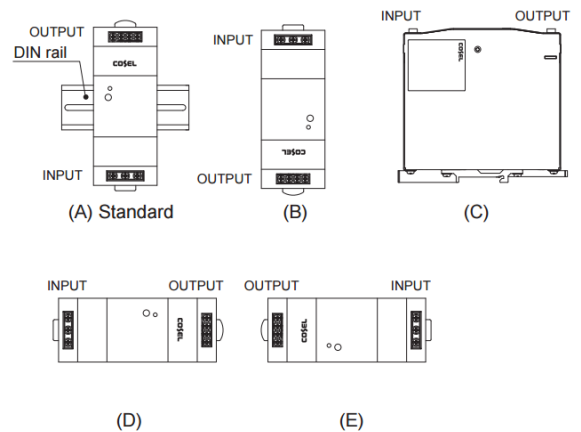
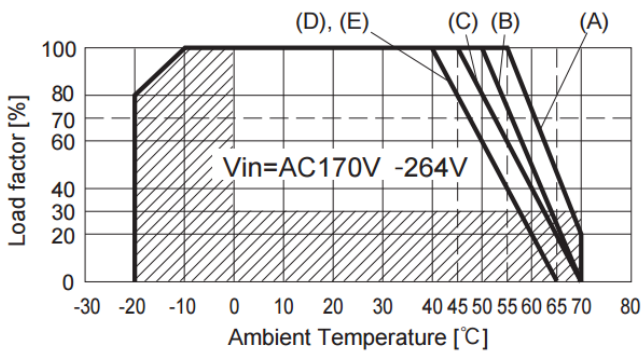
electronic powersolutions

120 Watt, KL Series, Ultra Slim DIN Rail Power Supply

Mechanical Drawings & Connection Details



Derating Curve:



Specifications are subject to change without notice, E&OE. ALL PSU Terms & Conditions apply.

ALL PSU LTD

Unit D6 | Laser Quay | Culpeper Close | Medway City Estate | Rochester | Kent | ME2 4HU Tel

: 01634 725527 | Fax : 01634 739111

Email : sales@allpsu.co.uk | Web : www.allpsu.co.uk