

3 Watt, AIC Series, Encapsulated Power Supply

ALL PSU LTD
Electronic Power Solutions

- Universal AC Input
- Fully Encapsulated, PCB Mounting Plastic Case
- Extra Wide Temperature Range From -40°C
- Short Circuit, Over Voltage, Over Power Protected
- Convection Cooled
- Full Approvals: UL/cUL/CE
- Low Ripple And Noise
- <0.3 Watts No Load Input Current
- 2 Years Warranty

A Type



B Type



Specification

Input Voltage.....	90~264 VAC, 47~63 Hz (120-370 VDC)
Inrush Current.....	20 A @ 115 VAC, 50 A @ 230 VAC
Output Voltage.....	See table below, +/-10% accuracy
Load Regulation (0% to 100% load)	+/-5% (3.3V o/p) +/-2% (5 to 24V o/p)
Line Regulation (full range).....	+/-5% (3.3V o/p), +/-2% (5 to 24V o/p)
Over Voltage Protection.....	Zener diode clamp
Short Circuit Protection.....	Hiccup mode, indefinite (automatic recovery)
Hold Up Time.....	15 ms, min
Input to Output Isolation.....	I/P-O/P: 3750 VAC,
Operating Temperature	-40 to +85 °C, see derating curve
Storage Temperature.....	-40 to +125 °C
Switching Frequency.....	132 +/-8 kHz
Safety Standards.....	UL/cUL, CE
EMC.....	EN55022 Class B, EN55024
MTBF.....	>350K hours @ 25°C (MIL-HDBK-217F)
Mechanical (PCB Mount	Encapsulated, 35 (L) x 22 (H) x 18 (W) mm
Connections Input & Output.....	PCB mounting: through hole pins or PCB Lugs

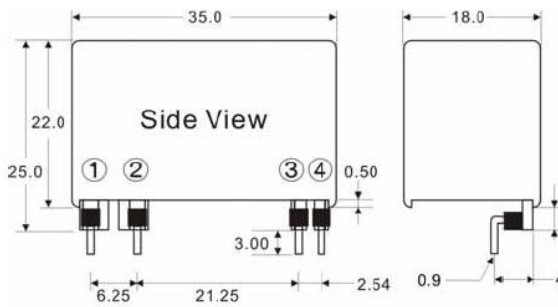
Models and Ratings

Model	Output Voltage	Output Current	Efficiency
AIC-3.3S-AP	3.3 V	900 mA	70%
AIC-5S-AP	5.0 V	600 mA	72%
AIC-9S-AP	9.0 V	333 mA	76%
AIC-12S-AP	12.0 V	250 mA	76%
AIC-15S-AP	15.0 V	200 mA	76%
AIC-24S-AP	24.0 V	125 mA	77%

Please see next page for mechanical drawings.

ALL PSU Ltd, Unit D6 Laser Quay, Culpeper Close, Medway City Estate,
Rochester, Kent, ME2 4HU, Tel: 01634 725527, Fax: 01634 739111
Email: sales@allpsu.co.uk, Web: www.allpsu.co.uk

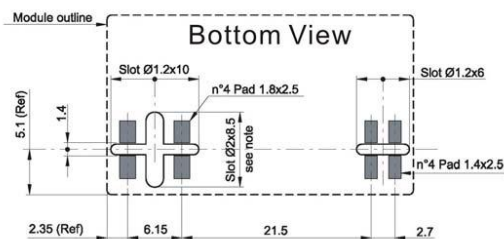
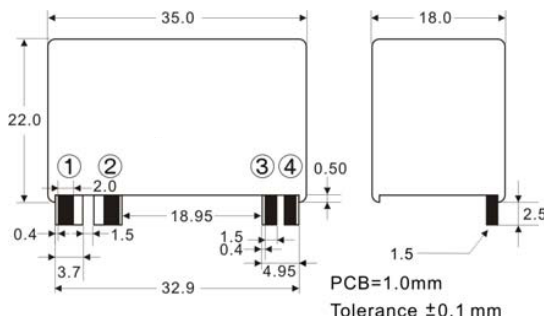
Mechanical Details (A Type)



Pinout

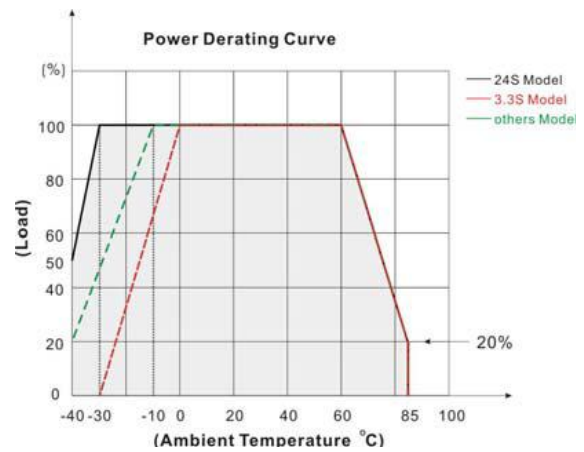
Pin	Function Single o/p
1	AC IN (Live)
2	AC IN (Neutral)
3	+ DC OUT
4	- DC OUT

Mechanical Details (B Type)



NOTE:
The 2x8.5mm slot is not mandatory
This slot is useful when high creepage between PCB tracks is required

Derating Curve



Specifications may change without notice. E&OE. ALL PSU Terms & Conditions apply.

**ALL PSU Ltd, Unit D6 Laser Quay, Culpeper Close, Medway City Estate,
Rochester, Kent, ME2 4HU, Tel: 01634 725527, Fax: 01634 739111,
Email: sales@allpsu.co.uk Web: www.allpsu.co.uk**